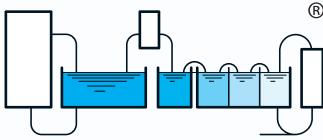


•すべてムダなくきれいにしましょう



The most suitable filter for medium-sized plating baths with capacities up to 4000L

Clarifying filter

Model F40

● For use as a typical clarifying filter

- For anodizing solutions
- For all kinds of plating solutions
- For final filtration of treated waste water
- For all kinds of rinse solutions
- For industrial water and other aqueous solutions
- For glauber's salt (sodium sulfate) solution



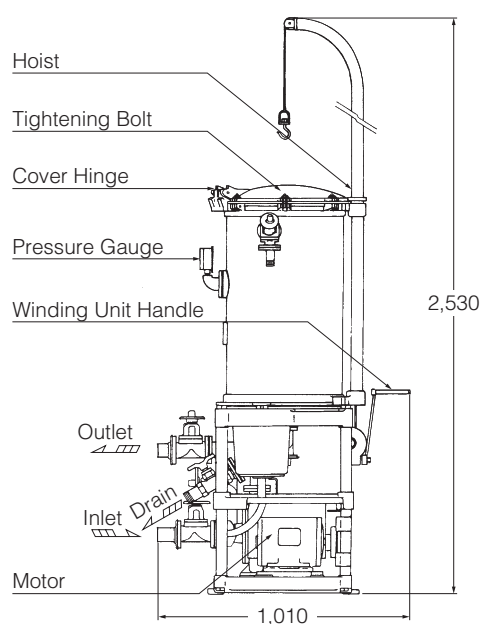
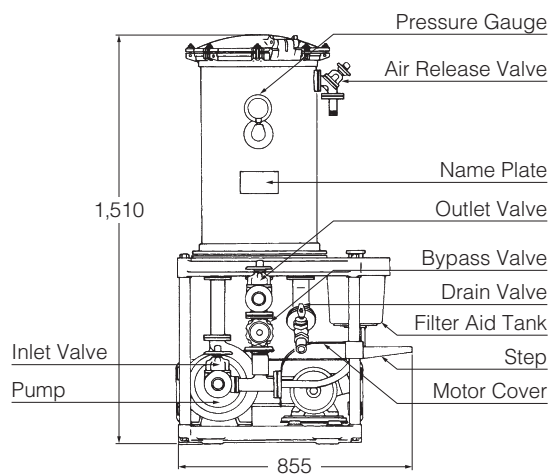
[FEATURES OF Model F40]

- Attains consistent high filtration accuracy using our patented precoat circuit
- Maximizes filtration area using our radial leaf filter media
- Allows use of specially customized filter cloth depending on the solution to be used
- Fully-equipped with filter media hoist, maintenance step, etc. for easy operation and inspection
- Equipped with a highly-reliable Sanshin-made pump, thus making this filter reliable for use in Japan as well as overseas

[Options]

- "SPACK SERIES" provisions for filter cleaning
Installation of our patented filter cleaning system by bubbling to our standard filter units

DIMENSIONS



● Technical Specifications

Model	Filter area [m ²]	Filtration capacity [ℓ / hr]	Weight [kg]	Motor [kW]	Dimensions [mm]	Piping to filter size requirements	
						Inlet / Outlet	Filter Inlet / Outlet
F40	5.0	10,000~18,000	Approx. 217	3-Phase 1.5	855×1,010×1,510 (2,530 with hoist)	50A (2B)	40A (1½B)

※ The filtration capacity is determined using water, a 3m hose (with foot valve), under precoat operation and motor at 60Hz.

● Parts Material

Main parts / Model	Pump			Filter media / Filter cloth			Filter main body (top cover, outer shell, main body bottom)	Packing / Hose	Applications
	Body	Impeller shaft	Impeller	Filter plate	Central pipe	Filter cloth			
A	Iron	Iron	Resin	Polypropylene	Iron	Pylen	Iron	Rubber	Copper cyanide bath
AC	Rubber lining	Stainless steel	Stainless steel	Iron	Iron	Pylen	Iron	Rubber	Hot rinsing bath
L	Rubber lining	Stainless steel	Resin	Polypropylene	Stainless steel	Pylen	Rubber lining	Rubber	Nickel plating bath
LC	Stainless steel	Stainless steel	Stainless steel	Polypropylene	Stainless steel	Pylen	Rubber lining	Rubber	Copper sulfate bath / Sulfuric acid anodizing bath
LT	Rubber lining	Titanium	Resin	Polypropylene	PVC	Pylen	Rubber lining	Rubber	Copper pyrophosphate bath

- For LC model, its base and tightening bolts are made of stainless steel. The external parts are coated with acid-resistant coating.
- Please contact our sales department when plating solution is newly-developed or special.

■ The specifications in this catalogue are subject to change, in the interest of technical improvement, without notice.

SANSHIN MFG.CO.,LTD.

Head quarters

1-2 Hagurokifuneura Inuyama-shi Aichi
484-0894 Japan

Phone : +81(568)67-0466 Fax : +81(568)68-3219

<http://www.sanshin-mfg.co.jp/>